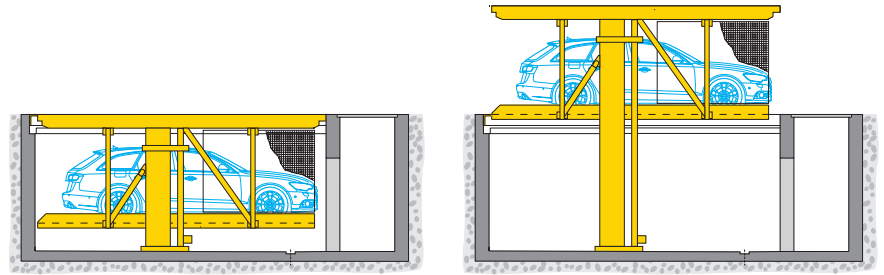


Data Sheet

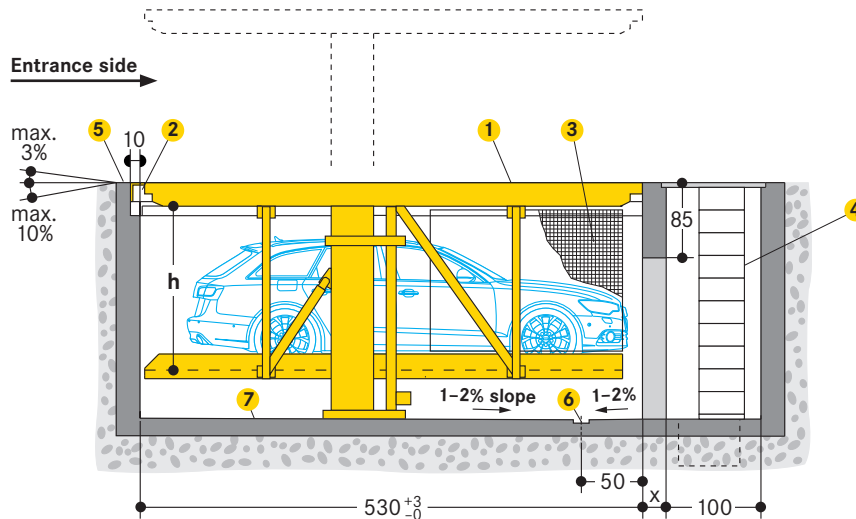
WÖHR PARKLIFT 461 462



- **Single units: 1–2 cars**
Double units: 2–4 cars
- **Platform load options:**
 - max. 2000 kg, load per wheel 500 kg
 - max. 2600 kg, load per wheel 650 kg
- **Platforms horizontally accessible**
- **Designed per DIN 1991-1-3 for Snow Load Zone II up to 0.75 kN/m² and a wind impact pressure of 0,25 kN/m² (corresponds to wind force 8)**



■ Length dimensions (height dimensions see page 2)

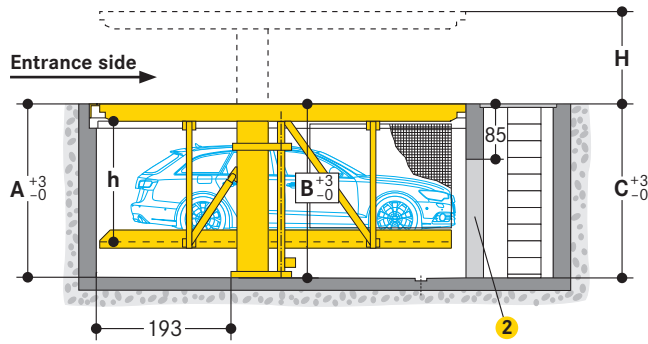


- 1 **Top platform:**
 - welded construction per EN ISO 13920, tolerance class C
 - flooring infill to be performed by the customer (e.g., sand bed/marble, sand bed/lawn grid stones, earth/lawn grid, etc.)
 - recessed floor level traversable
 - traversable at max. vehicle weight of 2600 kg, max. wheel load 650 kg
 - in case a higher load is needed, consultation with WÖHR
 - usable as parking space at Parklift 461 and 462 under determined requirements (see page 6)
- 2 **Circumferential drainage channel to be performed by the customer (see page 8)**
- 3 **Safety mesh in the side and back areas as required**
- 4 **Maintenance shaft:**
 - shaft ladder and access to pit have to be performed by the customer
 - shaft ladder must be installed after completion of the shell construction for dimensional inspection
 - WÖHR recommends the installation of a vertical ladder for shafts in accordance with EN 14396:2004
 - safeguard of access with a steel door to be performed by the customer
 - the opening above the maintenance shaft door must be closed by the customer with a removable grille; if you are in the maintenance shaft, it must be possible to remove the grille
- 5 **Yellow-black markings:**
 - ISO 3864, 10 cm wide, on the pit edge (see »Static calculations and construction works requirement«, page 5)
- 6 **Drainage channel in the pit:**
 - 10 x 2 cm with sump 50 x 50 x 50 cm
 - drainage with grating
 - installing a sump pump refer to manufacturer's dimensions
- 7 **Channels or undercuts/concrete haunches:**
 - not allowed along the pit floor-to-wall joints
 - should channels or undercuts be necessary, the stand areas must be left clear

■ Dimensions

- all dimensions specified are the minimum, finished dimensions
- tolerances must be taken into consideration
- all dimensions are given in cm

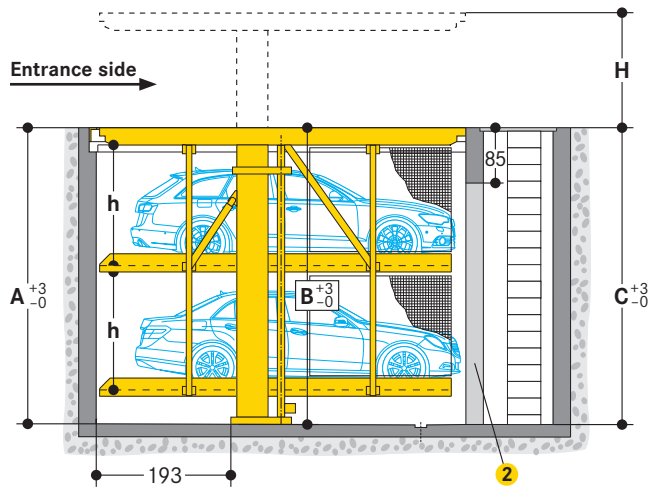
Height dimensions PARKLIFT 461



Type	Height (H)	Pit depth			Vehicle height lower level ¹	Platform distance (h)
		A	B	C		
461-250	210	250	254	255	L+S 165	170
461-285	245	285	289	290	L+S 200	205

- ¹ L = Limousine / S = Station wagon
- ² Wall opening

Height dimensions PARKLIFT 462



Type	Height (H)	Pit depth			Vehicle height lower level ¹	Platform distance (h)
		A	B	C		
462-425	385	425	429	430	L+S 165	170
462-495	455	495	499	500	L+S 200	205

- ¹ L = Limousine / S = Station wagon
- ² Wall opening

Width dimensions

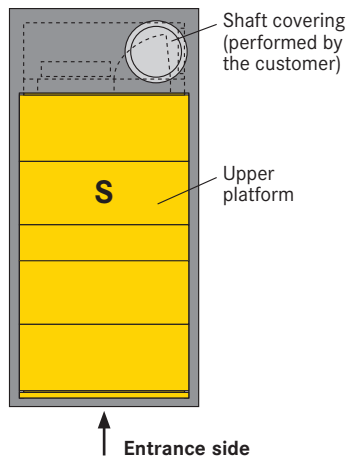
Platform widths:

- 250 cm (single units), 500 cm (double units):
- for 190 cm vehicle width (without outside mirror)
- 260–270 cm (single units), 520–540 cm (double units):
- for vehicles wider than 190 cm (without outside mirror)

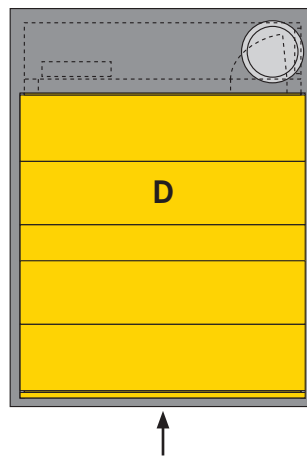
For comfortable parking, entry and exit conditions platform widths upon 270 cm are recommended. Reduced platform width means reduced parking comfort depending on the vehicle width, vehicle type, individual driving style, access situation of the (underground) garage.

Top view closed pit

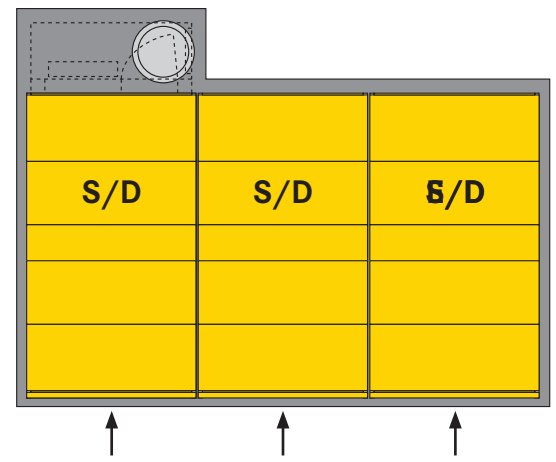
Single unit



Double unit

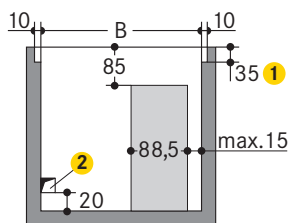


Row arrangement (single and double units combined)

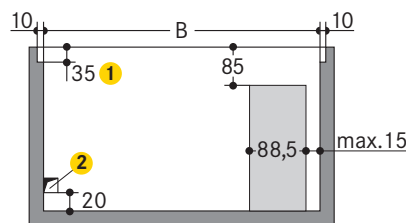


Pit dimensions

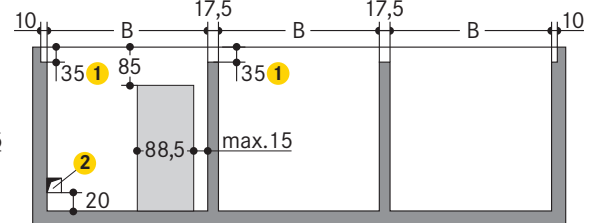
Single unit (front view)



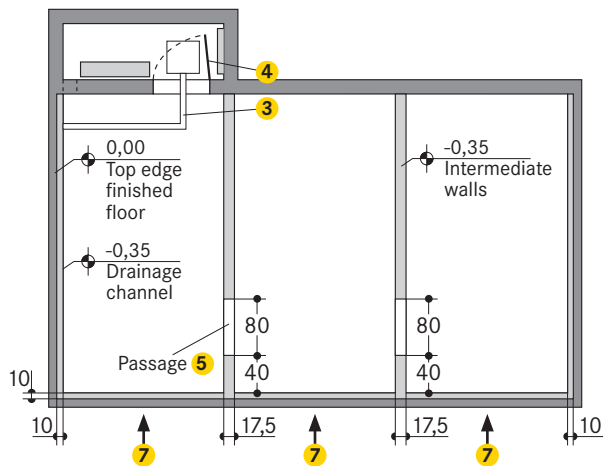
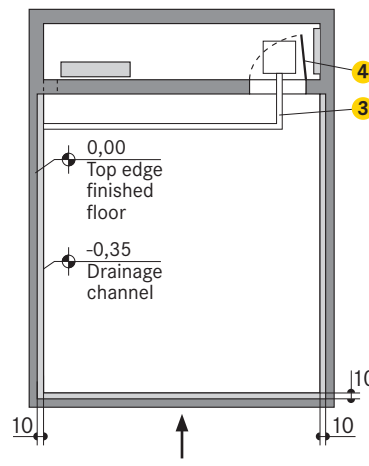
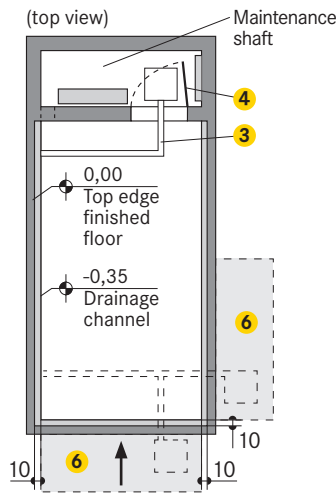
Double unit



Row arrangement



(top view)



Space requirements	Clear platform width	
	Parking level	Top platform
B		
275	230	290
285	240	300
295	250	310
305	260	320
315	270	330

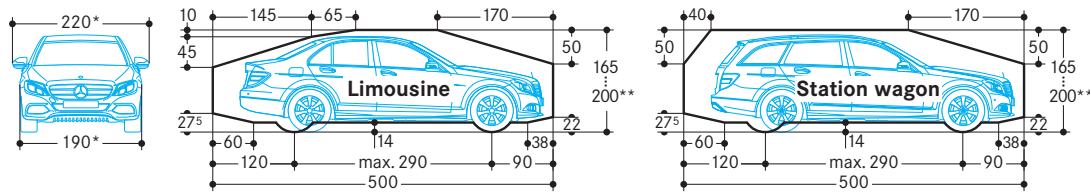
Space requirements	Clear platform width	
	Parking level	Top platform
B		
505	460	520
525	480	540
545	500	560
565	520	580
585	540	600

- 1 Measurement to finished floor level
- 2 15 x 15 cm gap for hydraulic leads
- 3 Drainage channel with sump (covered with grating)
- 4 Door to be installed by the customer
- 5 Passage to neighbouring system must have the same height as the passage from the maintenance shaft to the pit. All passages to neighbouring systems must be on the entrance side.
- 6 Alternative position of the maintenance shaft (drainage channel and sump must be shifted)
- 7 In the case of a row arrangement, the entrances must all be arranged on one side

Intermediate walls

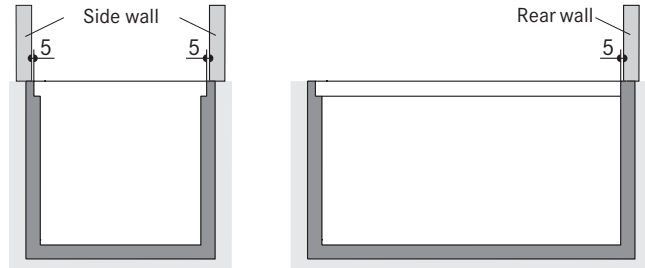
- side walls must be situated on the entry side in the direction of bracket (deviation max. 1 cm)

Clearance profile (for standard vehicles)



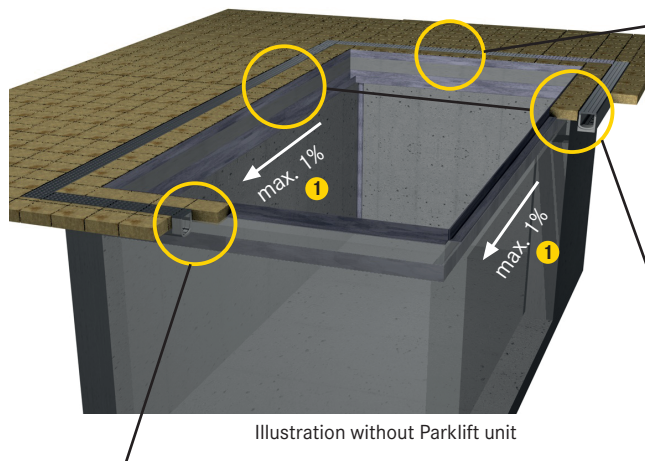
* for a 250 cm platform width
 ** the overall vehicle height including roof luggage rails and antenna mounts must not exceed the max. vehicle height dimensions specified

Walls extending above the pit

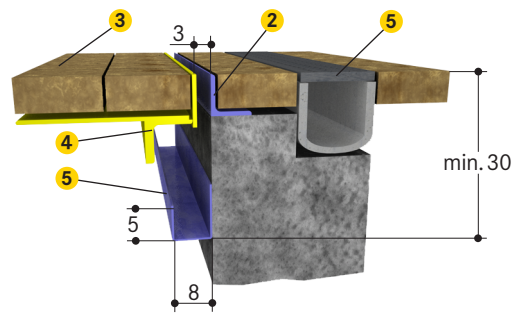


If side or rear walls above the pit edge are implemented, they must be situated 5 cm away from the pit edge.

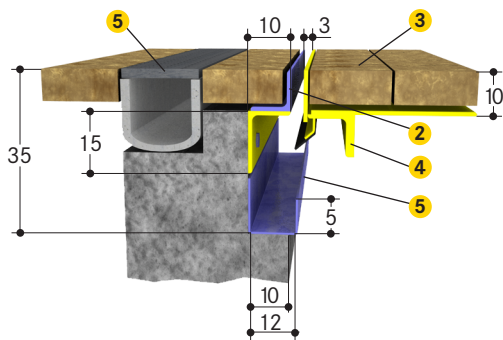
Pit edge



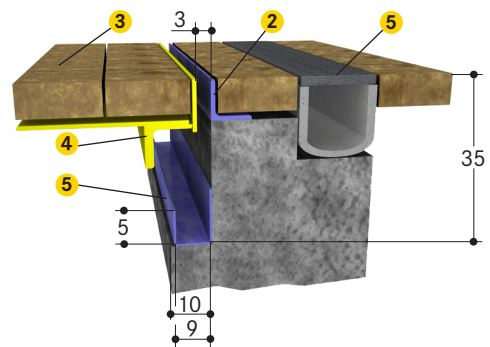
Pit edge rear



Pit edge, entrance side



Lateral pit edge



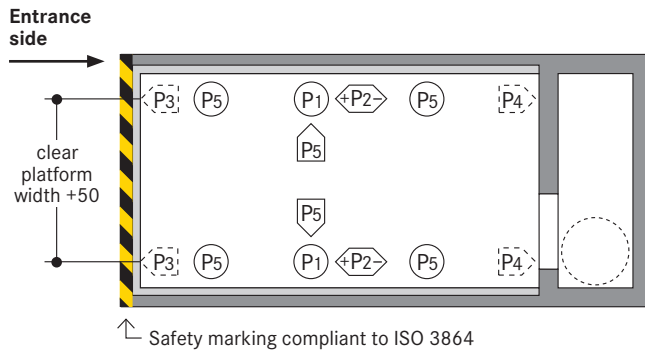
- 1 Slope of the drainage channel towards the entrance side
- 2 Angle width to be performed by the customer
- 3 Waterproofing and stone flooring (max. 250 kg/m²) to be performed by the customer
- 4 Yellow sections are supplied from WÖHR
- 5 Circumferential drainage channel to be performed by the customer

Waterproofing of trough

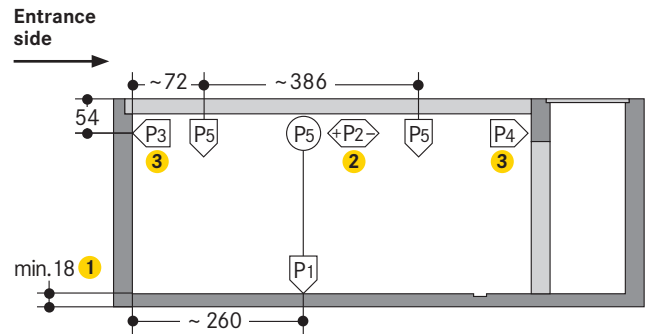
Waterproofing of trough to be performed by the customer 4: – the trough must be sealed waterproof

Static calculations and construction works requirement

Top view



Section



Fixing of the system frames to the floor slab:

- using base plates
- using adhesive anchor bolts
- hole depth to 12-14 cm

Concrete quality grade:

- compliant to the static requirements of the construction
- min. C20/25 grade (for dowel fastening)

Walls:

- out of concrete
- completely even
- without protruding pieces such as edge mounts, pipes, etc
- planatary and angularity tolerances per DIN 18202 to be observed

Frame bearing points:

- the specified lengths are expressed as mean value
- for the exact data, specific TÜV-tested data sheets are available

1 Floor slab capacity is verified through a structural engineer, under the circumstances where a thicker floor slab is needed

2 The P2 load only applies if the pillars are fastened on the side walls

3 The P3 and P4 loads only apply if the pillars cannot be fastened to the side walls

Static data PARKLIFT 461

PARKLIFT 461 · 2000 kg

Single unit	Double unit
P1 = + 84 kN*	P1 = + 139 kN (top platform with stone coating)
P2 = ± 13 kN	P2 = ± 16 kN
P3 = + 13 kN	P3 = + 16 kN
P4 = + 13 kN	P4 = + 16 kN
P5 = + 11 kN	P5 = + 11 kN

*specified load bearing data includes the vehicle weight

PARKLIFT 461 · 2600 kg

Single unit	Double unit
P1 = + 93 kN*	P1 = + 160 kN (top platform with stone coating)
P2 = ± 13 kN	P2 = ± 17 kN
P3 = + 13 kN	P3 = + 17 kN
P4 = + 13 kN	P4 = + 17 kN
P5 = + 13 kN	P5 = + 13 kN

Static data PARKLIFT 462

PARKLIFT 462 · 2000 kg

Single unit	Double unit
P1 = + 104 kN*	P1 = + 172 kN (top platform with stone coating)
P2 = ± 9 kN	P2 = ± 12 kN
P3 = + 9 kN	P3 = + 12 kN
P4 = + 9 kN	P4 = + 12 kN
P5 = + 12 kN	P5 = + 12 kN

*specified load bearing data includes the vehicle weight

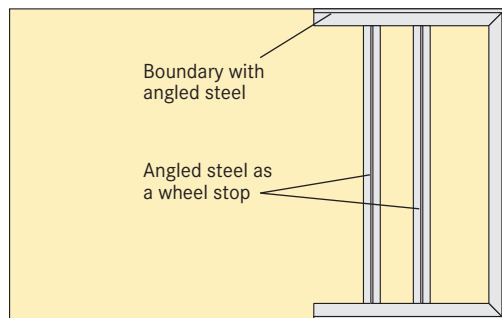
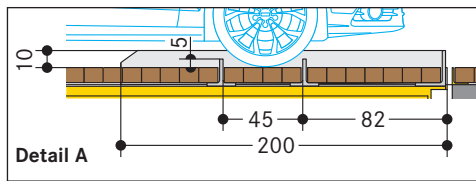
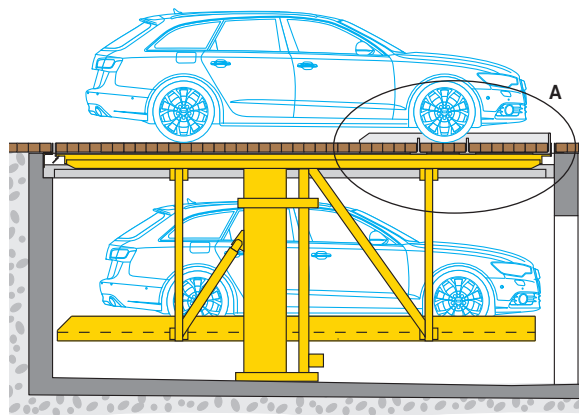
PARKLIFT 462 · 2600 kg

Single unit	Double unit
P1 = + 121 kN*	P1 = + 208 kN (top platform with stone coating)
P2 = ± 9 kN	P2 = ± 13 kN
P3 = + 9 kN	P3 = + 13 kN
P4 = + 9 kN	P4 = + 13 kN
P5 = + 13 kN	P5 = + 13 kN

■ Parking place on the top platform

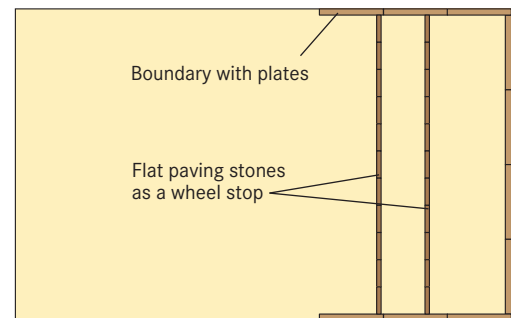
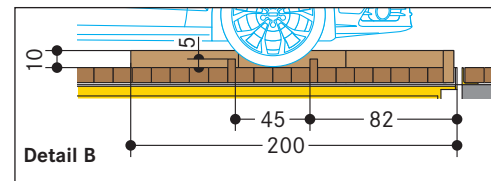
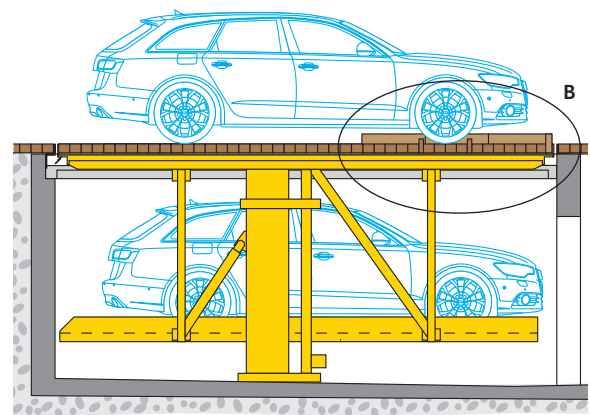
On the top platform, vehicles can be parked on the Parklift 461 and 462, if one of the following measures is implemented by the customer.

■ Wheel stop and boundary made of iron brackets



Top view without pavement

■ Wheel stop and boundary made of paving stones

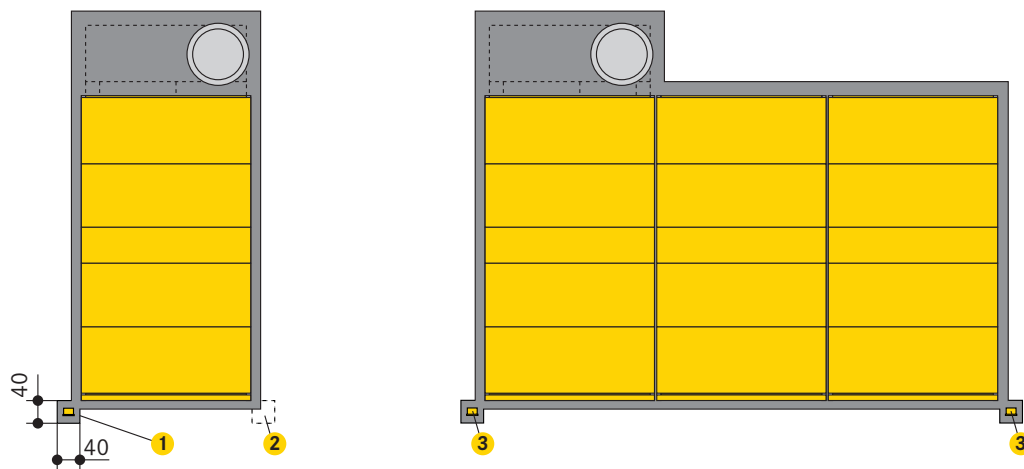


Top view without pavement

■ Position of the operating device

The entry edge of the system must be visible to the user from the position of the operating device.

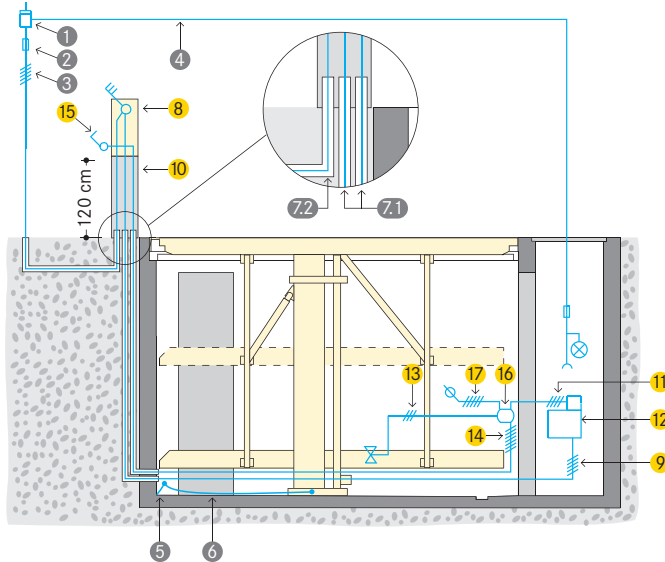
The operating devices are supplied for wall mounting as standard. Foundations are required for operating devices with stands for attachment to the floor (at extra cost).



- 1 Foundation for operating device. Wiring see page 7.
- 2 Alternative position of the foundation.
- 3 Optional: Several operating devices are mutually electrically interlocked. Only one system can be moved at a time.

Electrical specifications

Installation diagram



Cabling preparation to be performed by the customer:

- up to the main switch to be in place prior to starting the installation operations
- connection to the main switch during installation
- system functional check testing can be performed by WÖHR together with the electrician provided by the customer
- if requested at a later date, functional check testing can be performed by WÖHR at extra-cost

Grounding and potential equalisation:

- to be performed by the customer compliant to DIN EN 60204
- connections required every 10 metres

To be performed by the customer

Item	Quantity	Description	Position	Recurrence
1	1 piece	power meter	in the feed cable	
2	1 piece	fuse protection or automatic circuit breaker compliant to DIN VDE 0100 part 430: - 3 x 35 A slow blow for 2 x 5,5 kW power pack (starting current 57 A)	in the feed cable	1 x per power pack
3	based on site conditions	compliant to local power supply regulations 3 phases + N + PE* 230/400 V, 50 Hz	feed cables to main switch	1 x per power pack
4	1 piece	separate power supply of 230 V with safeguard, lighting, and power point	from the electric meter in the maintenance shaft	1 x per system
5	every 10 m	grounding and potential equalisation lead-out connection	along pit floor edges/rear wall	
6	1 piece	grounding and potential equalisation compliant to DIN EN 60204	from lead-out connection to system	1 x per system
7.1	2 piece	empty pipe DN 40 with taut wire	base pit/operating device	1 x per system
7.2	based on site conditions	empty pipe DN 40 with taut wire	supply to the main switch	1 x per system

* to DIN VDE 0100 sections 410 and 430 (no permanent load) 3 phases + N+ PE (three phase current)

Scope of delivery by WÖHR (unless otherwise specified)

Item	Description
8	Lockable main switch
9	5 x 6,0 mm ² control cable leading from the main switch to the power pack
10	Adjustable stand (at extra cost)
11	4 x 1,5 mm ² control cable
12	Double hydraulic power pack with three-phase motor 2 x 5,5 kW. Ready-wired switching cabinet with motor safety contactor
13	3 x 1,5 mm ² control cable for the cylinder valve lead
14	7 x 1,5 mm ² control cable
15	UP/down operating unit with EMERGENCY STOP. Key can be removed only when in the lower end position (key blocking). Cable feed-in strictly from below leading upwards (2 keys for each parking space). The entry edge of the system must be visible to the user from the position of the operating device.
16	Branch connector
17	5 x 1,5 mm ² control cable lead-out to the system alongside

Notes and directions

Scope of application

- suitable for residential buildings
- retrofitting to accommodation
- only for long-term users that have been instructed on how to use the system

Noise reduction measures (outdoor installation)

Basis:

- to the German DIN 4109 »Noise protection in buildings«
- at devices, machines, and facilities, household appliances must provide adequate protection against transmission over air and structure-borne sound

Structure-borne sound transmission:

- since the facilities are mainly built free-standing, measures against structure-borne noise are not expected

Drainage

Before mounting:

- drainage channel with connection to the sewerage system have to be performed by the customer (observe local regulations for drainage of surface water)

Discharge of larger volumes of water from the property:

- circumferential drainage channel outside the pit have to be performed by the customer (see page 4, chapter pit edge, item 5)

Water entry into the pit:

- in winter through snow in the wheelhouse up to 40 litres for every parking action

Drainage channel in pit area:

- connection to the floor intake or sump to be performed by the customer (50 x 50 x 50 cm)
- sump covered with grating to be performed by the customer
- customer-performed installation of a pump or drain

Sideways slope drainage:

- only into a drainage channel
- not possible in the remaining pit section

Lengthways slope drainage:

- provided according to specified construction dimensions

Environmental safety:

- coating of the pit flooring is recommended
- installation of an oil and/or petrol separator unit between the drainage connection and the main sewerage system is recommended

Ventilation

A ventilation system designed by a specialist company is required for trouble-free operation of the system.

Goal of the measures:

- continuous air exchange
- reduction of humidity
- preventing condensation due to introduced vehicle temperature
- removal of moisture from vehicles (through rain, snow, ice, etc.)

These measures carry substantial reductions of corrosion and resulting disturbances.

Temperature

- system operating range: -20° to +40°C (with unloaded platforms lowering speed is reduced if less than +5° C)
- humidity: 50% at +40°C
- in the event of changes to system conditions please consult with WÖHR

Operating device

- position of the operating device will be defined depending on the project (adjustable stand or house wall)
- empty pipe DN40 with taut wire from the floor of the shaft to the operating device have to be performed by the customer
- system must be run from the controls always in the lowermost end position (key blocking)

Lighting

- sufficient lighting of the driving aisle and of the parking places must be performed by the customer
- brightness of lighting in the maintenance shaft and in the pit at least 80 lux

Fire safety

- all fire safety requirements and all mandatory equipment (fire extinguisher and fire alarm systems, etc.) must be performed by the customer

Conformity examination (TÜV)



- voluntary conformity assessment by the TÜV SÜD

The parking systems are compliant to:

- EC Machinery Directive 2006/42/EC
- DIN EN 14010

Protection

- protection of the pit during construction phase has to be performed by the customer

Hydraulic power pack

- the hydraulic power pack will be housed in the maintenance shaft

Maintenance shaft

- separate maintenance shaft with access to pit has to be performed by the customer
- project-dependent common maintenance shaft at row arrangement possible
- manhole cover and shaft ladder have to be performed by the customer
- WÖHR recommends the installation of a vertical ladder for shafts in accordance with EN 14396:2004
- the manhole cover must prevent rainwater and surface water from entering the maintenance shaft

Mounting

- crane for mounting to be performed by customer
- for mounting in underground garage or rooftop areas, mobile crane (radius minimum 5 metres) to be performed by customer

PARKLIFT 461:

- minimum hook height of 400 cm over entry level, crane load approx. 700 kg

PARKLIFT 462:

- minimum hook height of 700 cm over entry level, crane load approx. 1400 kg

Important note

Important – Please discuss this with your supplier:

- if the area around the parking systems is accessible by pedestrians, then further safety measures may be necessary
- each installation will have its own individual safety requirements that should be taken into account
- take care to ensure your building design does not have over-hanging features, or opening items, which could interfere with the clear travel of the parking system

Maintenance

- WÖHR and all the WÖHR partners abroad provide an installation and customer service network
- regular, annual maintenance is provided subject to the stipulation of a maintenance agreement

Prevention of corrosion damage

- all operations listed in the WÖHR Cleaning and Maintenance Instructions are to be performed regularly (independently of maintenance operations)
- zinc-plated parts, components and platforms are to be kept clean of dirt, road-salt and any other debris (due to corrosion hazards)
- always keep the garage well ventilated and deaerated



Surface protection

- please consider the information on surface protection!



Technical specifications

- please consider the specifications!



Parking Place-Profile

- please consider the product information Parking Place-Profile!



Electromobility

- please consider the product information E-charging!
- depending on the position of the charging point on the electric vehicle, collision points with protruding plugs and charging cables can occur



Construction formalities

- the documentation necessary for construction permit applications is provided by WÖHR on demand

Construction alterations and/or modifications

- the right to construction or model modifications and/or variations is hereby reserved
- the right to any subsequent part modification and/or variation and amendments in procedures and standards due to technical and engineering progresses or due to environmental regulation changes is also hereby reserved